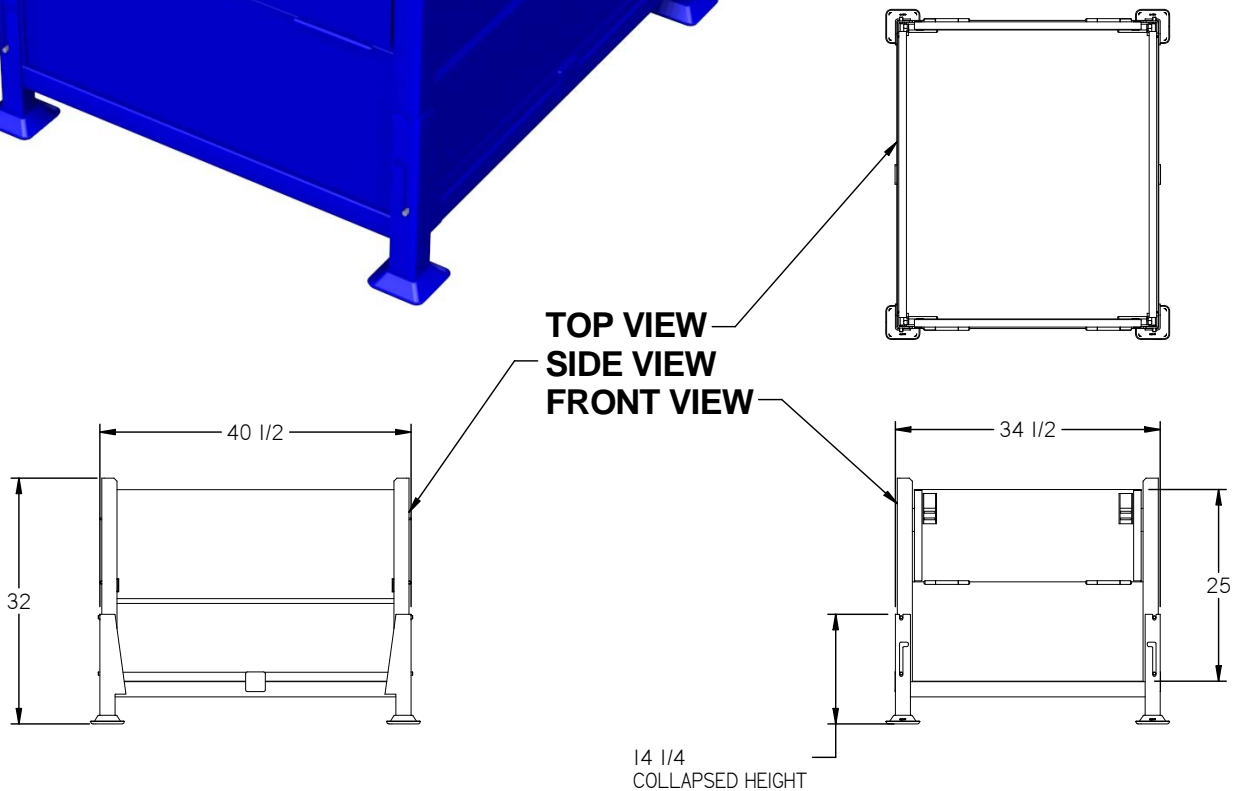


KNOCK DOWN, 2 GATE, SHEET METAL STEEL BIN # KD2GS-01



SPECIFICATIONS

1. Size: 40 1/2" x 34 1/2" x 32" Overall Height
2. Load Capacity: 3200 lbs.
3. Max. Stack Height: 5 Bins in Warehouse
4. Inside Usable Volume: 18 Cubic Feet
5. Half-Drop Gates on Both 34 1/2" Sides
6. Sheet Metal on 4 Sides with safety edges
7. Sheet Metal Floor on Tubing Base Structure
8. Steel Bin with Powder Coating (Zinc Plated Optional)
9. 108 Upright Bins Fit on 53' Trucks
10. 252 Collapsed Bins Fit on 53' Trucks
11. Inter-Stackable with all other "01" Series Bins



ALTERNATE CONFIGURATION



KNOCKED DOWN



STACKED 3 HIGH
FOR TRUCK SHIPMENT



STACKED 7 HIGH
FOR TRUCK SHIPMENT